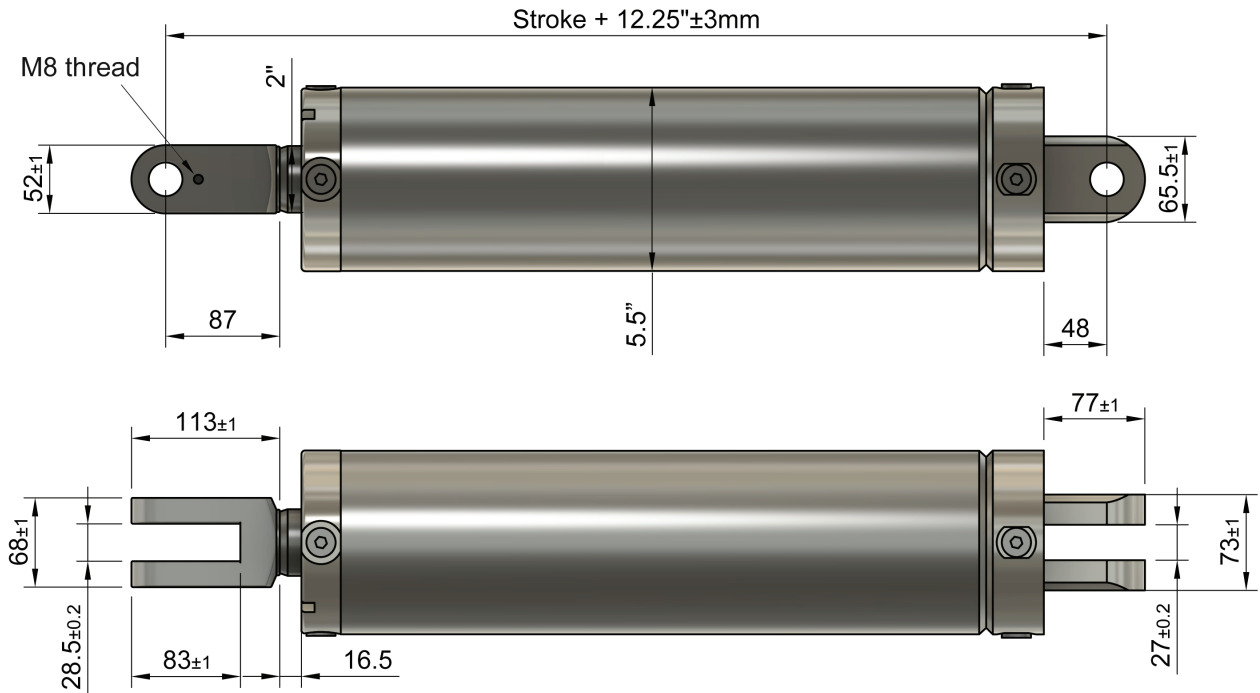


AG CYLINDER 5.0" bore

Max Pressure 3000psi | Dual Ports 3/4" UNO | Pins 1"



| PART # | STROKE | ROD | CLOSED | | OPEN | |
|-----------|--------|-----|--------|-----------|---------|-----------|
| TAG 5008D | 8" | 2" | 20.25" | 514.35mm | 28.25" | 717.55mm |
| TAG 5012D | 12" | 2" | 24.25" | 615.95mm | 36.25" | 920.75mm |
| TAG 5016D | 16" | 2" | 28.25" | 717.55mm | 44.25" | 1123.95mm |
| TAG 5018D | 18" | 2" | 30.25" | 768.35mm | 48.25" | 1225.55mm |
| TAG 5020D | 20" | 2" | 32.25" | 819.15mm | 52.25" | 1327.15mm |
| TAG 5024D | 24" | 2" | 36.25" | 920.75mm | 60.25" | 1530.35mm |
| TAG 5030D | 30" | 2" | 42.25" | 1073.15mm | 72.25" | 1835.15mm |
| TAG 5036D | 36" | 2" | 48.25" | 1225.55mm | 84.25" | 2139.95mm |
| TAG 5048D | 48" | 2" | 60.25" | 1530.35mm | 108.25" | 2749.55mm |

TUFF
MANUFACTURING

tuffmanufacturing.com.au

