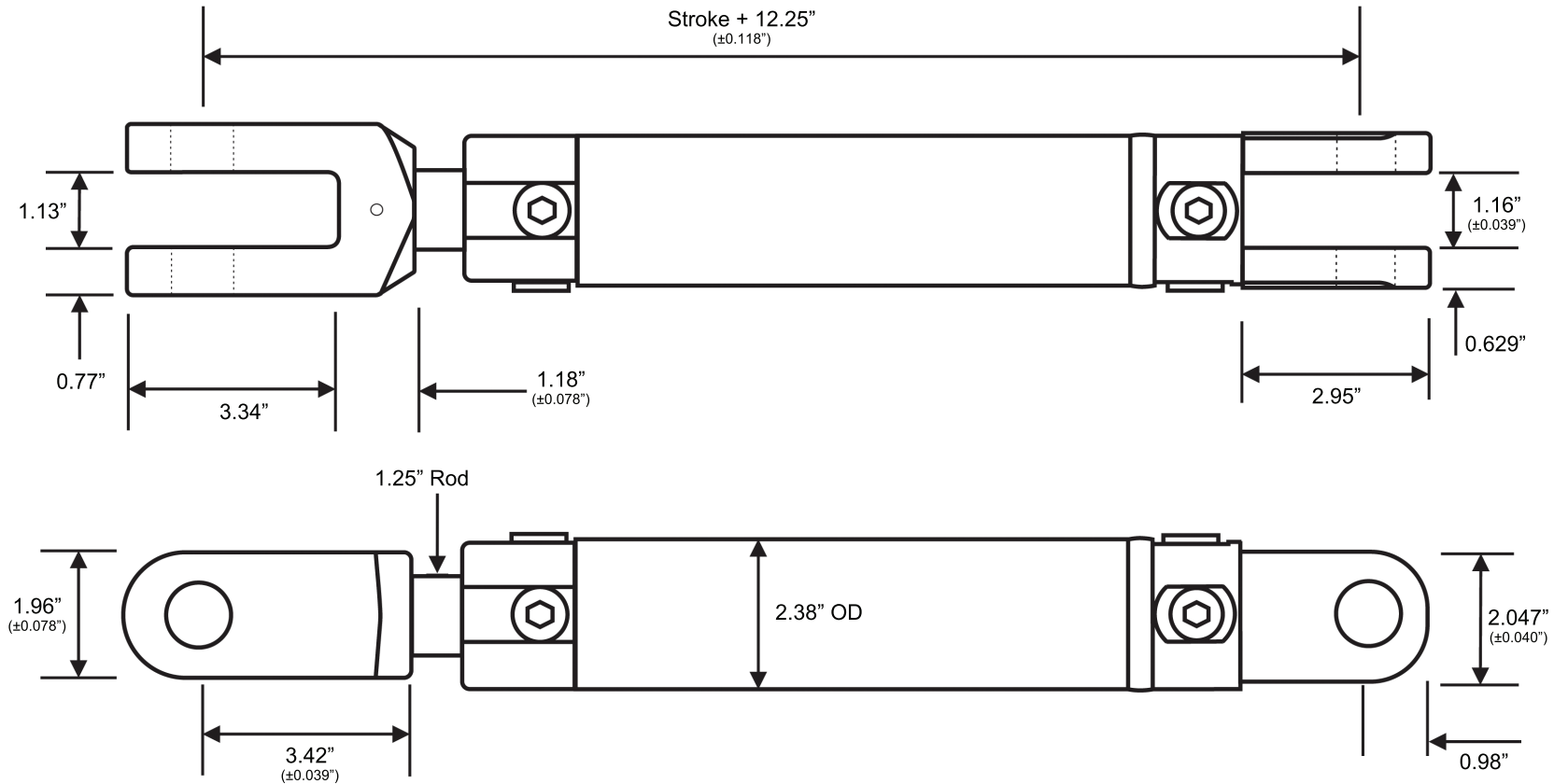


# AG CYLINDER: 2.0" bore

Max Pressure 3000psi | Dual Ports 9/16" UNO | Pins 1"



**TUFF**  
MANUFACTURING



1300 CYLINDERS  
tuffmanufacturing.com.au

Part #	Stroke	Closed	Open
TAG 2002D	2"	14.25" 361.95mm	16.25" 412.75mm
TAG 2004D	4"	16.25" 412.75mm	20.25" 514.35mm
TAG 2006D	6"	18.25" 463.55mm	24.25" 615.95mm
TAG 2008D	8"	20.25" 514.35mm	28.25" 717.55mm
TAG 2010D	10"	22.25" 565.15mm	32.25" 819.15mm
TAG 2012D	12"	24.25" 615.95mm	36.25" 920.75mm
TAG 2014D	14"	26.25" 666.75mm	40.25" 1022.35mm
TAG 2016D	16"	28.25" 717.55mm	44.25" 1123.95mm
TAG 2018D	18"	30.25" 768.35mm	48.25" 1225.55mm
TAG 2020D	20"	32.25" 819.15mm	52.25" 1327.15mm

Part #	Stroke	Closed	Open
TAG 2022D	22"	34.25" 869.95mm	56.25" 1428.75mm
TAG 2024D	24"	36.25" 920.75mm	60.25" 1530.35mm
TAG 2026D	26"	38.25" 971.55mm	64.25" 1631.95mm
TAG 2028D	28"	40.25" 1022.35mm	68.25" 1733.55mm
TAG 2030D	30"	42.25" 1073.15mm	72.25" 1835.15mm
TAG 2036D	36"	48.25" 1225.55mm	84.25" 2139.95mm
TAG 2042D	42"	54.25" 1377.95mm	96.25" 2444.75mm
TAG 2048D	48"	60.25" 1530.35mm	108.25" 2749.55mm
TAG 2054D	54"	66.25" 1682.75mm	120.25" 3054.35mm