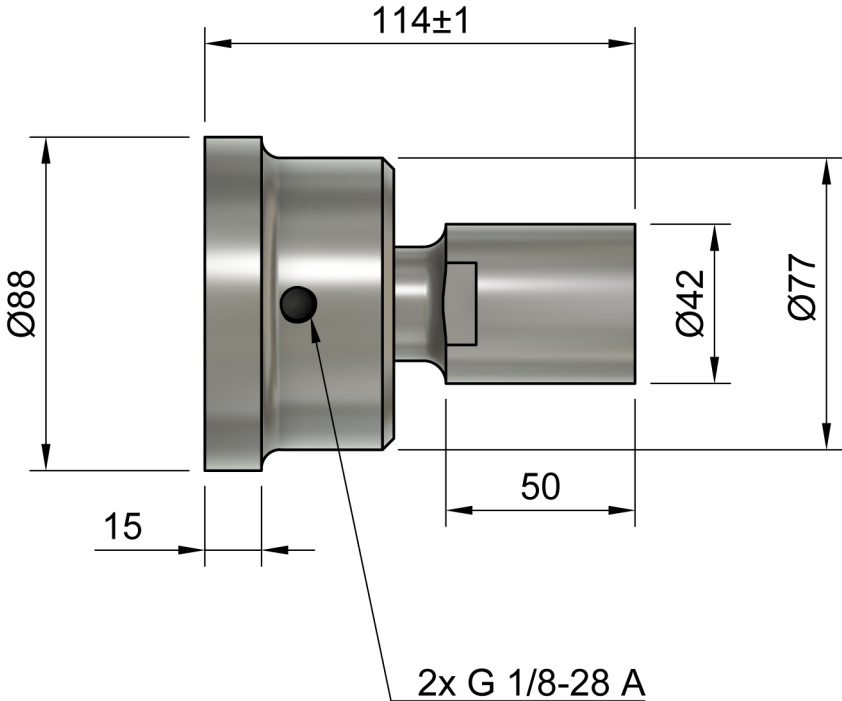


SWIVEL FOOT

Fits any of our hydraulic cylinders



PART #	THREAD
FOOTMTFEMALE50	1.1/4" UNF



tuffmanufacturing.com.au

