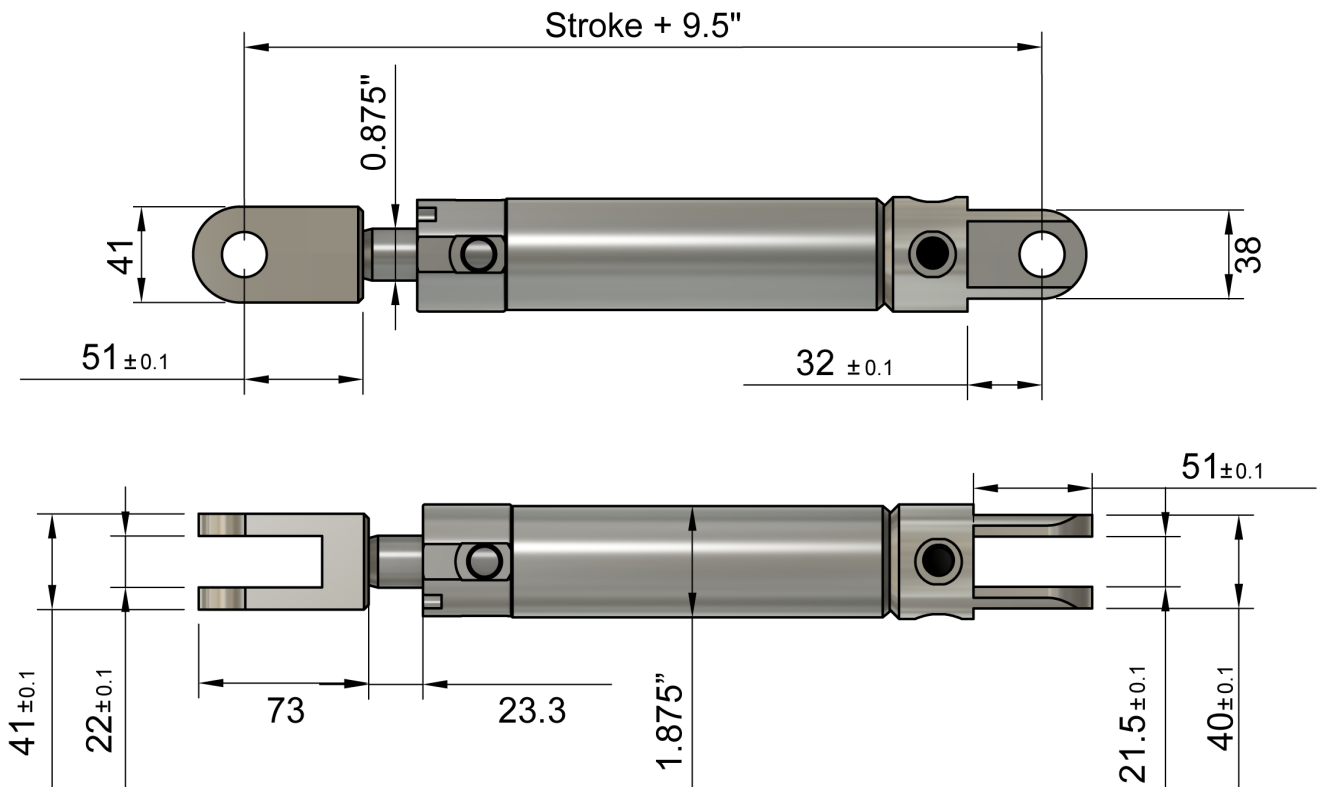


AG CYLINDER: 1.5" bore

Max Pressure 3000psi | Dual Ports 9/16" UNO | Pins 3/4"



PART #	STROKE	ROD	CLOSED		OPEN	
TAG 1502D	2"	0.875"	11.5"	292.1mm	13.5"	342.9mm
TAG 1504D	4"	0.875"	13.5"	342.9mm	17.5"	444.5mm
TAG 1506D	6"	0.875"	15.5"	393.7mm	21.5"	546.1mm
TAG 1508D	8"	0.875"	17.5"	444.5mm	25.5"	647.7mm
TAG 1510D	10"	0.875"	19.5"	495.3mm	29.5"	749.3mm
TAG 1512D	12"	0.875"	21.5"	546.1mm	33.5"	850.9mm
TAG 1514D	14"	0.875"	23.5"	596.9mm	37.5"	952.5mm
TAG 1516D	16"	0.875"	25.5"	647.7mm	41.5"	1054.1mm
TAG 1518D	18"	0.875"	27.5"	698.5mm	45.5"	1155.7mm
TAG 1520D	20"	0.875"	29.5"	749.3mm	49.5"	1257.3mm
TAG 1524D	24"	0.875"	33.5"	850.9mm	57.5"	1460.5mm
TAG 1530D	30"	0.875"	39.5"	1003.3mm	69.5"	1765.3mm
TAG 1536D	36"	0.875"	45.5"	1155.7mm	81.5"	2070.1mm
TAG 1542D	42"	0.875"	51.5"	1308mm	93.5"	2375mm
TAG 1548D	48"	0.875"	57.5"	1460.5mm	105.5"	2679.7mm



tuffmanufacturing.com.au

