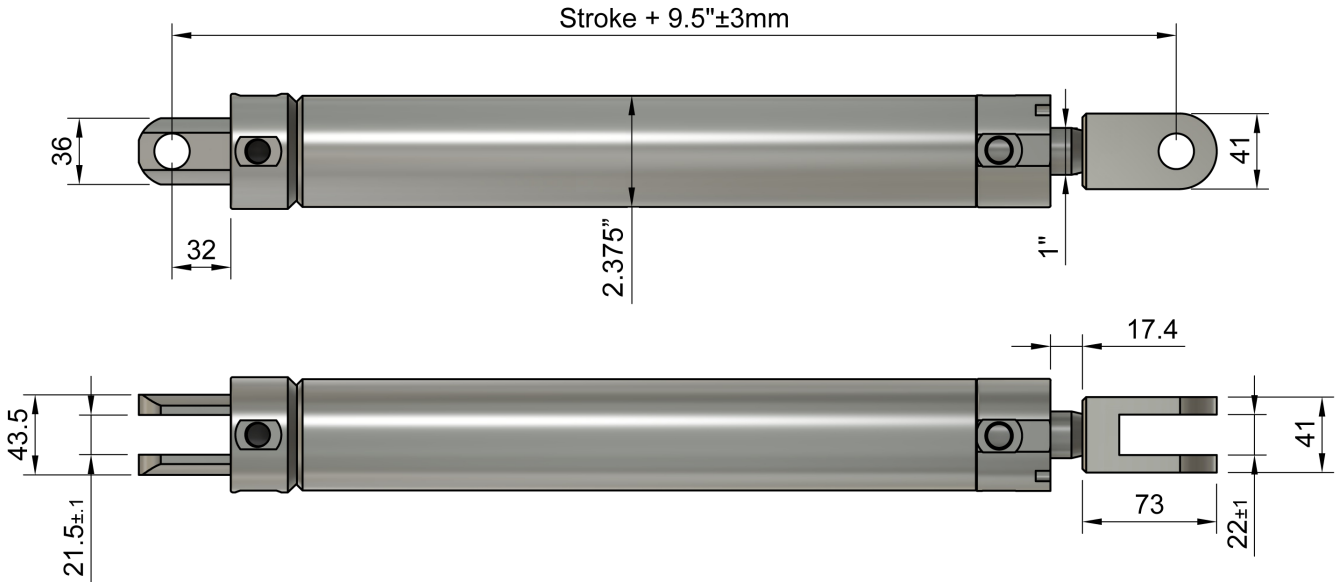


AG SHORT CLOSED LENGTH CYLINDER 2.0" bore

Max Pressure 3000psi | Dual Ports 9/16" UNO | Pins 3/4"



PART #	STROKE	ROD	CLOSED		OPEN	
TAG 2004DSHCC	4"	1"	13.5"	342.9mm	17.5"	444.5mm
TAG 2006DSHCC	6"	1"	15.5"	393.7mm	21.5"	546.1mm
TAG 2008DSHCC	8"	1"	17.5"	444.5mm	25.5"	647.7mm
TAG 2010DSHCC	10"	1"	19.5"	495.3mm	27.5"	698.5mm
TAG 2012DSHCC	12"	1"	21.5"	546.1mm	33.5"	850.9mm
TAG 2014DSHCC	14"	1"	23.5"	596.9mm	35.5"	901.7mm
TAG 2016DSHCC	16"	1"	25.5"	647.7mm	41.5"	1054.1mm
TAG 2018DSHCC	18"	1"	27.5"	698.5mm	43.5"	1104.9mm
TAG 2030DSHCC	30"	1"	39.5"	1003.3mm	55.5"	1409.7mm

TUFF
MANUFACTURING

tuffmanufacturing.com.au

