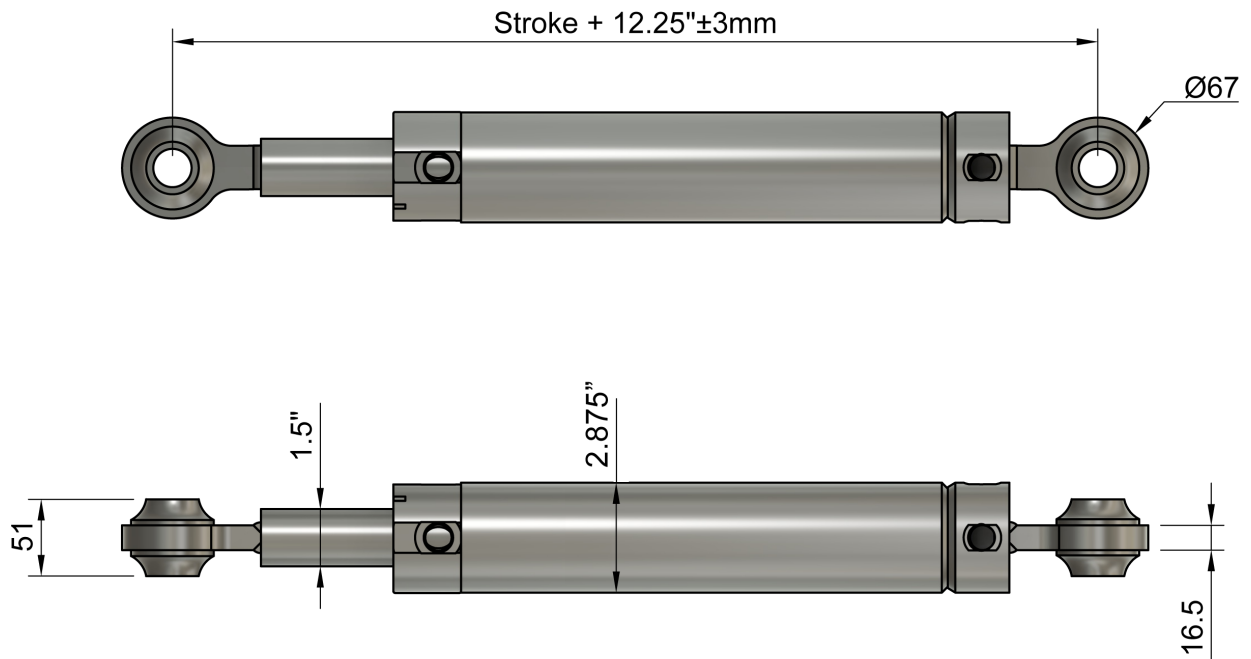


AG TOPLINK CYLINDER 2.5" bore

Max Pressure 3000psi | Dual Ports 3/4" UNO | Pins 1"



PART #	STROKE	ROD	CLOSED		OPEN	
TAG 2504DT2	4"	1.5"	16.25"	412.75mm	20.25"	514.35mm
TAG 2506DT2	6"	1.5"	18.25"	463.55mm	24.25"	615.95mm
TAG 2508DT2	8"	1.5"	20.25"	514.35mm	28.25"	717.55mm
TAG 2510DT2	10"	1.5"	22.25"	565.15mm	32.25"	819.15mm
TAG 2512DT2	12"	1.5"	24.25"	615.95mm	36.25"	920.75mm



tuffmanufacturing.com.au

