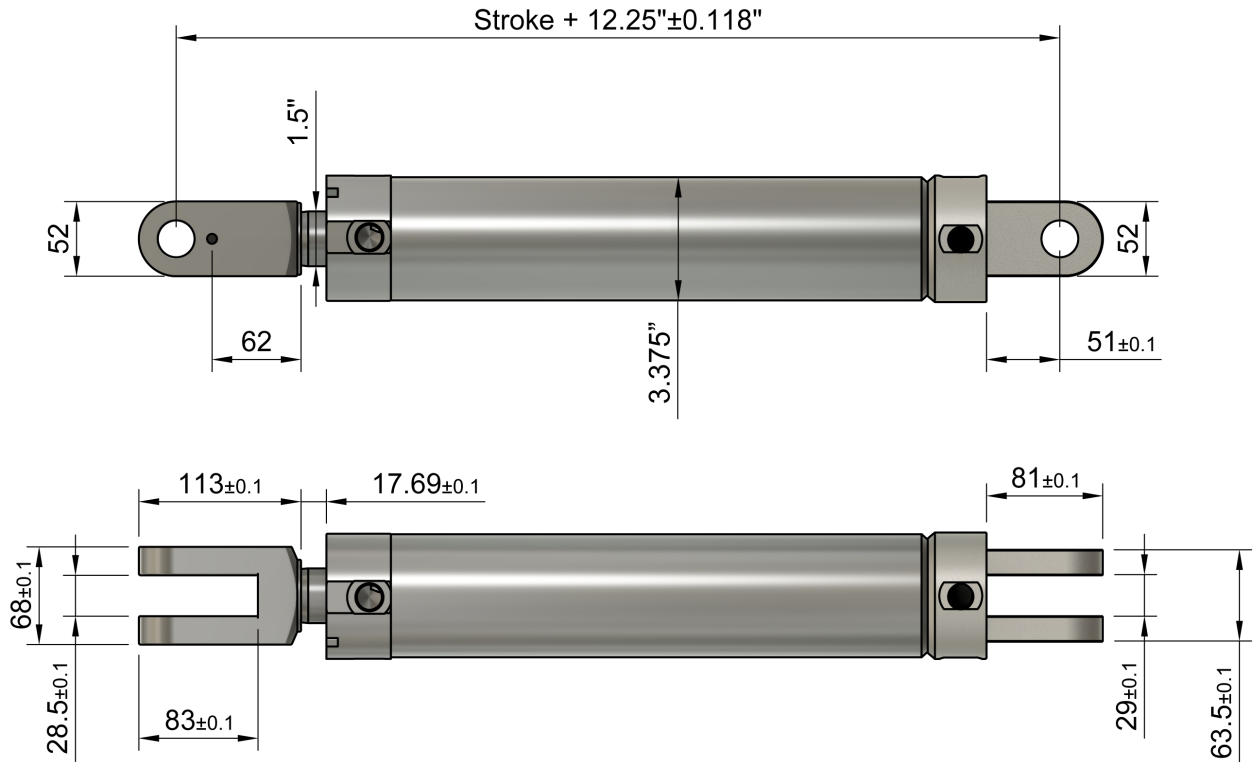


AG CYLINDER 3.0" bore

Max Pressure 3000psi | Dual Ports 3/4" UNO | Pins 1"



PART #	STROKE	ROD	CLOSED		OPEN	
TAG 3004D	4"	1.5"	16.25"	412.75mm	20.25"	514.35mm
TAG 3006D	6"	1.5"	18.25"	463.55mm	24.25"	615.95mm
TAG 3008D	8"	1.5"	20.25"	514.35mm	28.25"	714.55mm
TAG 3010D	10"	1.5"	22.25"	565.15mm	32.25"	819.15mm
TAG 3012D	12"	1.5"	24.25"	615.95mm	36.25"	920.75mm
TAG 3014D	14"	1.5"	26.25"	666.75mm	40.25"	1022.25mm
TAG 3016D	16"	1.5"	28.25"	717.55mm	44.25"	1123.25mm
TAG 3018D	18"	1.5"	30.25"	768.35mm	48.25"	1225.55mm
TAG 3020D	20"	1.5"	32.25"	819.15mm	52.25"	1327.15mm
TAG 3022D	22"	1.5"	34.25"	869.95mm	56.25"	1428.75mm
TAG 3024D	24"	1.5"	36.25"	920.75mm	60.25"	1530.35mm
TAG 3026D	26"	1.5"	38.25"	971.55mm	64.25"	1631.95mm
TAG 3028D	28"	1.5"	40.25"	1022.35mm	68.25"	1733.55mm
TAG 3030D	30"	1.5"	42.25"	1073.15mm	72.25"	1835.15mm
TAG 3036D	36"	1.5"	48.25"	1225.55mm	84.25"	2139.95mm
TAG 3042D	42"	1.5"	54.25"	1377.95mm	96.25"	2444.75mm
TAG 3048D	48"	1.5"	60.25"	1530.35mm	108.25"	2749.55mm
TAG 30-1800D-200	1800mm	2"	83.1"	2111.15mm	154.0"	3911.15mm
TAG 30-1900D-200	1900mm	2"	87.1"	2211.15mm	161.9"	4111.15mm



tuffmanufacturing.com.au

