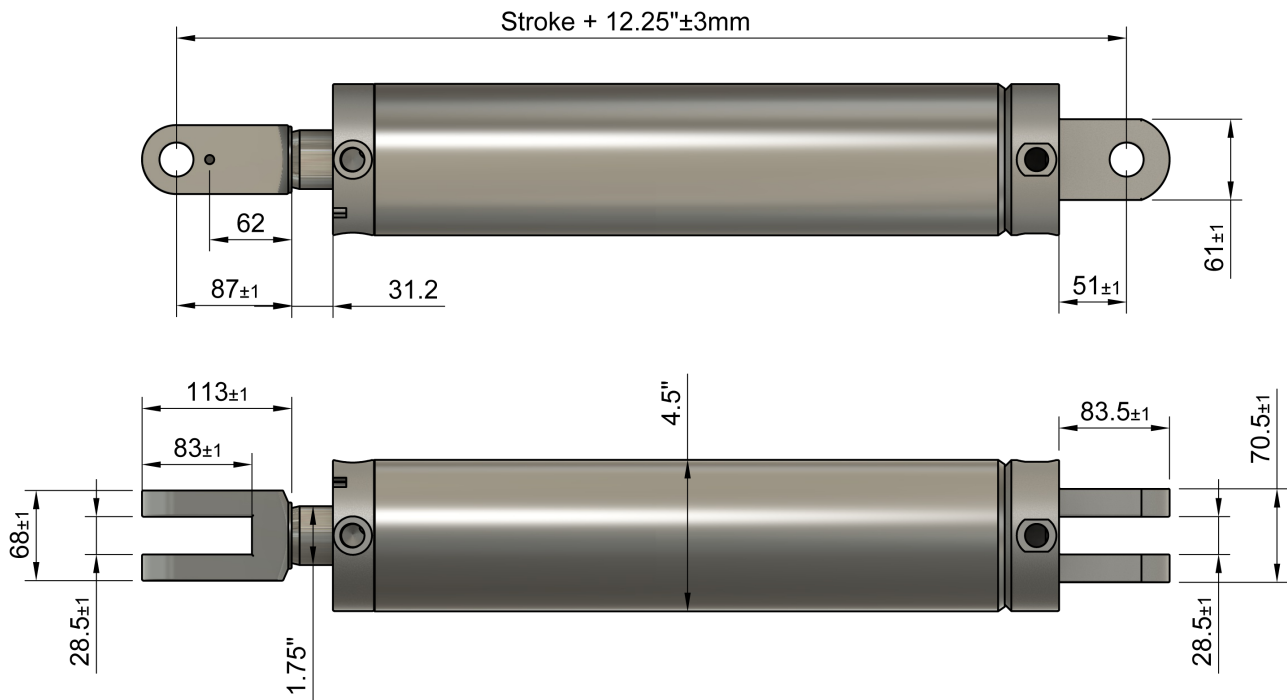


# AG CYLINDER 4.0" bore

Max Pressure 3000psi | Dual Ports 3/4" UNO | Pins 1"



PART #	STROKE	ROD	CLOSED		OPEN	
TAG 4004D	4"	1.75"	16.25"	412.75mm	20.25"	514.35mm
TAG 4006D	6"	1.75"	18.25"	463.55mm	24.25"	615.95mm
TAG 4008D	8"	1.75"	20.25"	514.35mm	28.25"	717.55mm
TAG 4010D	10"	1.75"	22.25"	565.15mm	32.25"	819.15mm
TAG 4012D	12"	1.75"	24.25"	615.95mm	36.25"	920.75mm
TAG 4016D	16"	1.75"	28.25"	717.55mm	44.25"	1123.95mm
TAG 4018D	18"	1.75"	30.25"	768.35mm	48.25"	1225.55mm
TAG 4020D	20"	1.75"	32.25"	819.15mm	52.25"	1327.15mm
TAG 4024D	24"	1.75"	36.25"	920.75mm	60.25"	1530.35mm
TAG 4030D	30"	1.75"	42.25"	1073.15mm	72.25"	1835.15mm
TAG 4036D	36"	1.75"	48.25"	1225.55mm	84.25"	2139.95mm
TAG 4042D	42"	1.75"	54.25"	1377.95mm	96.25"	2444.75mm
TAG 4048D	48"	1.75"	60.25"	1530.35mm	108.25"	2749.55mm
TAG 4012D-200	12"	2"	24.25"	615.95mm	36.25"	920.75mm
TAG 4016D-200	16"	2"	28.25"	717.55mm	44.25"	1123.95mm
TAG 4018D-200	18"	2"	30.25"	768.35mm	48.25"	1225.55mm
TAG 4024D-200	24"	2"	36.25"	920.75mm	60.25"	1530.35mm



tuffmanufacturing.com.au

