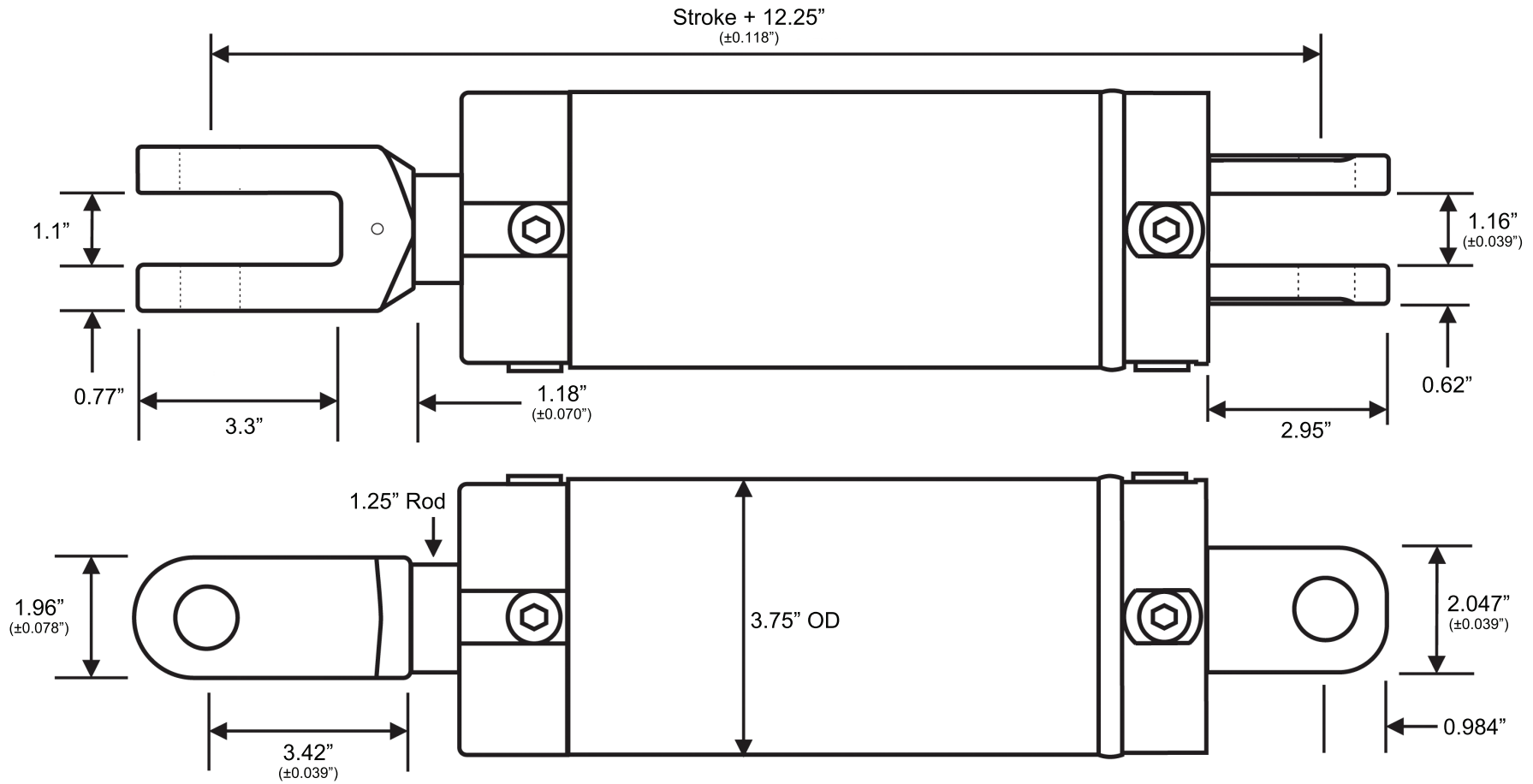


# PHASING CYLINDER: 3.25" bore



1 3 0 0 C Y L I N D E R S  
[tuffmanufacturing.com.au](http://tuffmanufacturing.com.au)

Part #	Stroke	Closed	Open	Weight
TVP325008125	8"	20.25"	28.25"	16kg
TVP325012125	12"	24.25"	36.25"	19kg
TVP325016125	16"	28.25"	44.25"	21kg
TVP325018125	18"	30.25"	48.25"	22kg
TVP325024125	24"	36.25"	60.25"	25kg
TVP300036125	36"	48.25"	84.25"	31kg

Please note: Sizes can change due to material availability