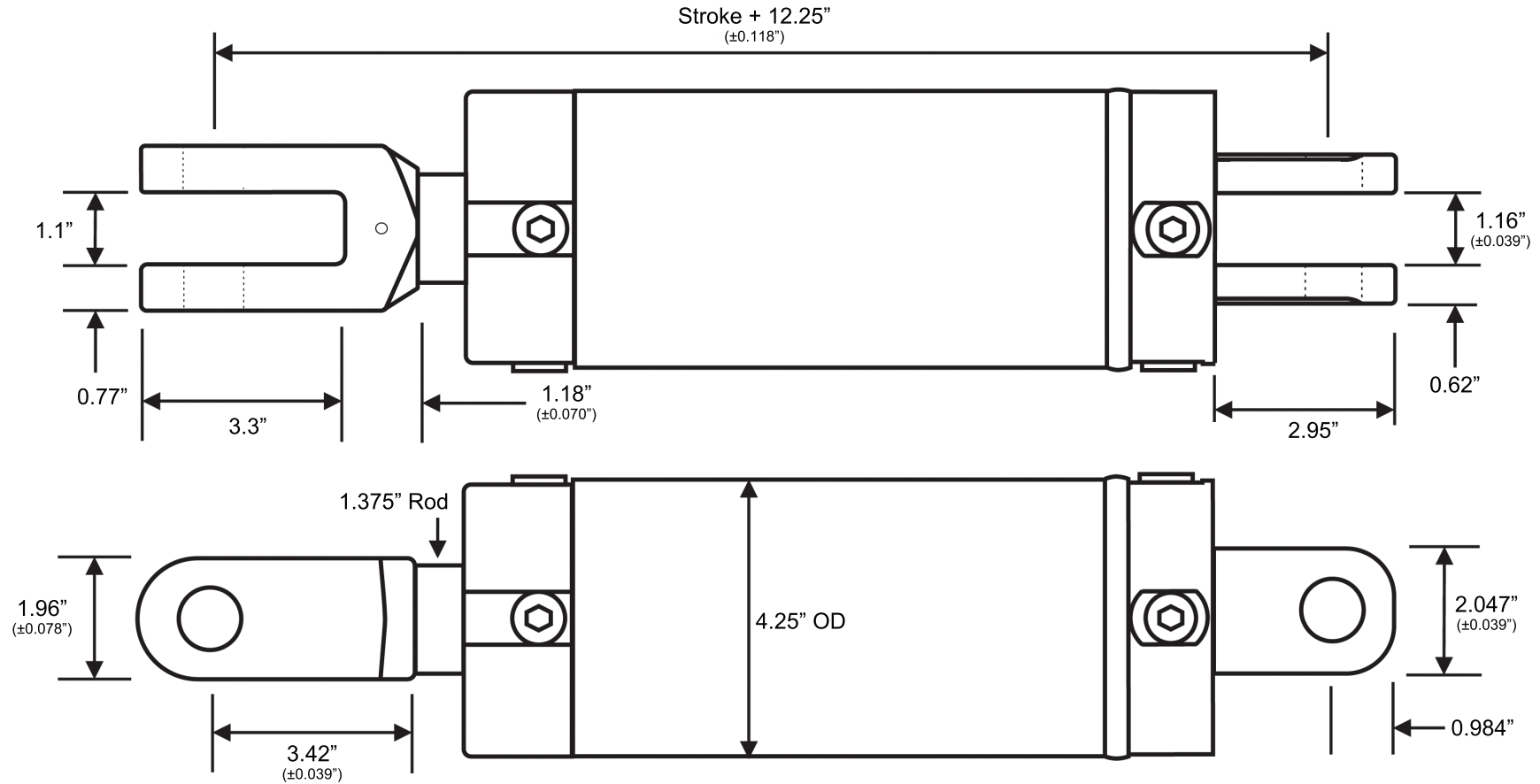


PHASING CYLINDER: 3.75" bore



TUFF
MANUFACTURING



1 3 0 0 C Y L I N D E R S
tuffmanufacturing.com.au

Part #	Stroke	Closed	Open	Weight
TVP3750081375	8"	20.25"	28.25"	20kg
TVP3750121375	12"	24.25"	36.25"	24kg
TVP3750161375	16"	28.25"	44.25"	29kg
TVP3750181375	18"	30.25"	48.25"	30kg
TVP3750241375	24"	36.25"	60.25"	33kg
TVP3750361375	36"	48.25"	84.25"	40kg

Please note: Sizes can change due to material availability