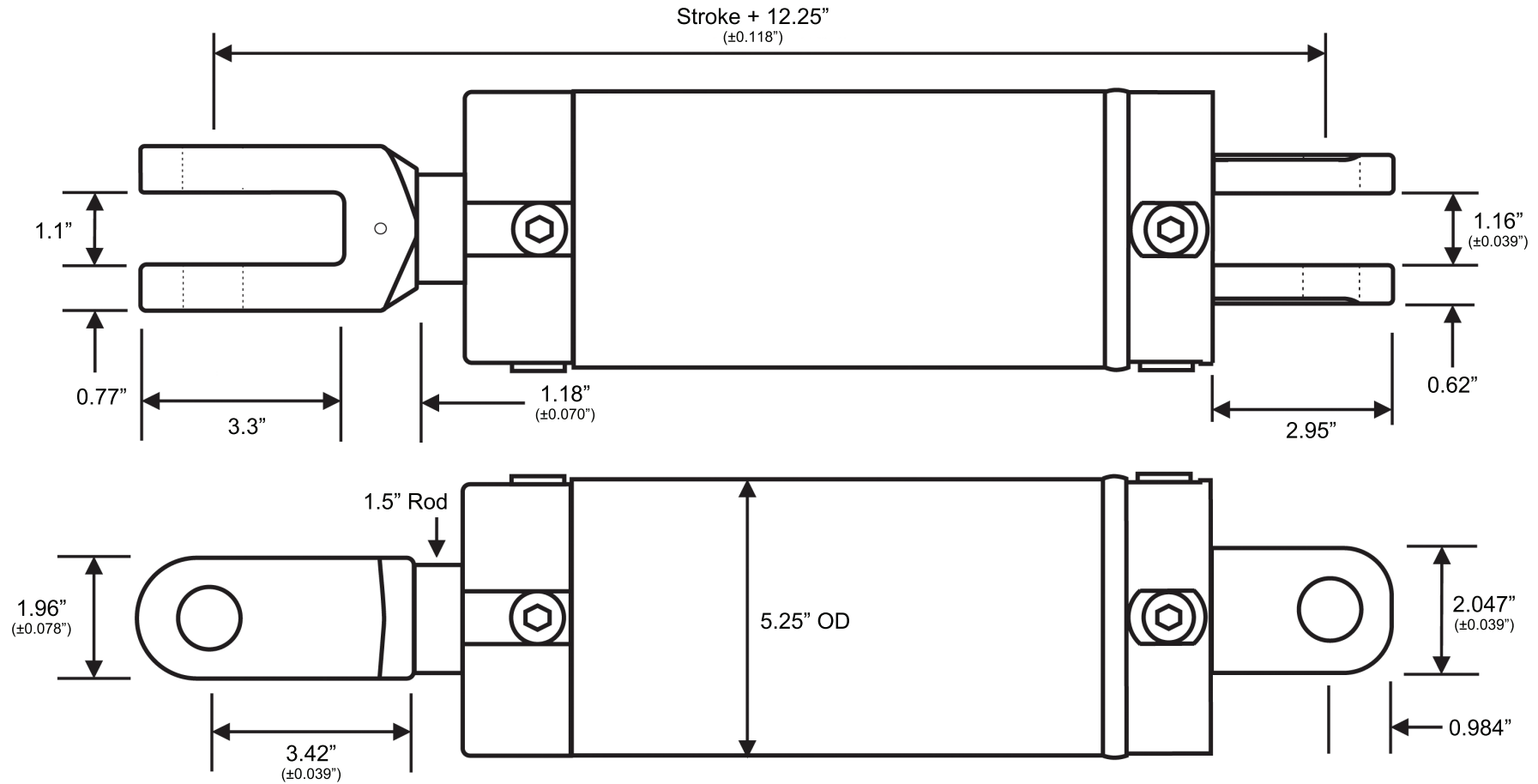


# PHASING CYLINDER: 4.5" bore



**TUFF**  
MANUFACTURING



1 3 0 0 C Y L I N D E R S  
tuffmanufacturing.com.au

Part #	Stroke	Closed	Open	Weight
TVP450008150	8"	20.25"	28.25"	26kg
TVP450012150	12"	24.25"	36.25"	30kg
TVP450016150	16"	28.25"	44.25"	33kg
TVP450018150	18"	30.25"	48.25"	34kg
TVP450024150	24"	36.25"	60.25"	37kg
TVP450036150	36"	48.25"	84.25"	47kg

Please note: Sizes can change due to material availability