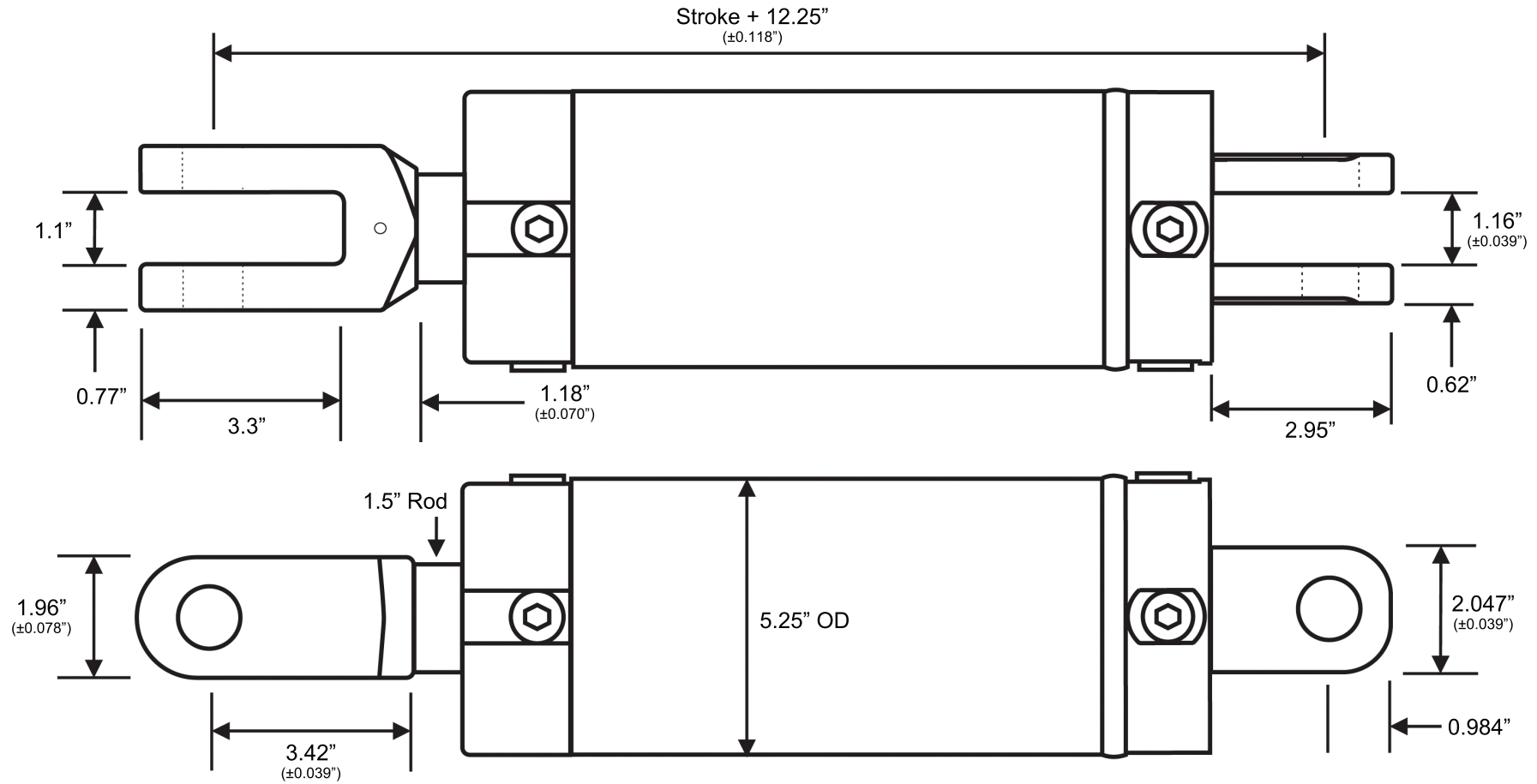


PHASING CYLINDER: 4.75" bore



1 3 0 0 C Y L I N D E R S
tuffmanufacturing.com.au

Part #	Stroke	Closed	Open	Weight
TVP475008150	8"	20.25"	28.25"	28kg
TVP475012150	12"	24.25"	36.25"	32kg
TVP475016150	16"	28.25"	44.25"	35kg
TVP475018150	18"	30.25"	48.25"	36kg
TVP475024150	24"	36.25"	60.25"	39kg
TVP475036150	36"	48.25"	84.25"	51kg

Please note: Sizes can change due to material availability