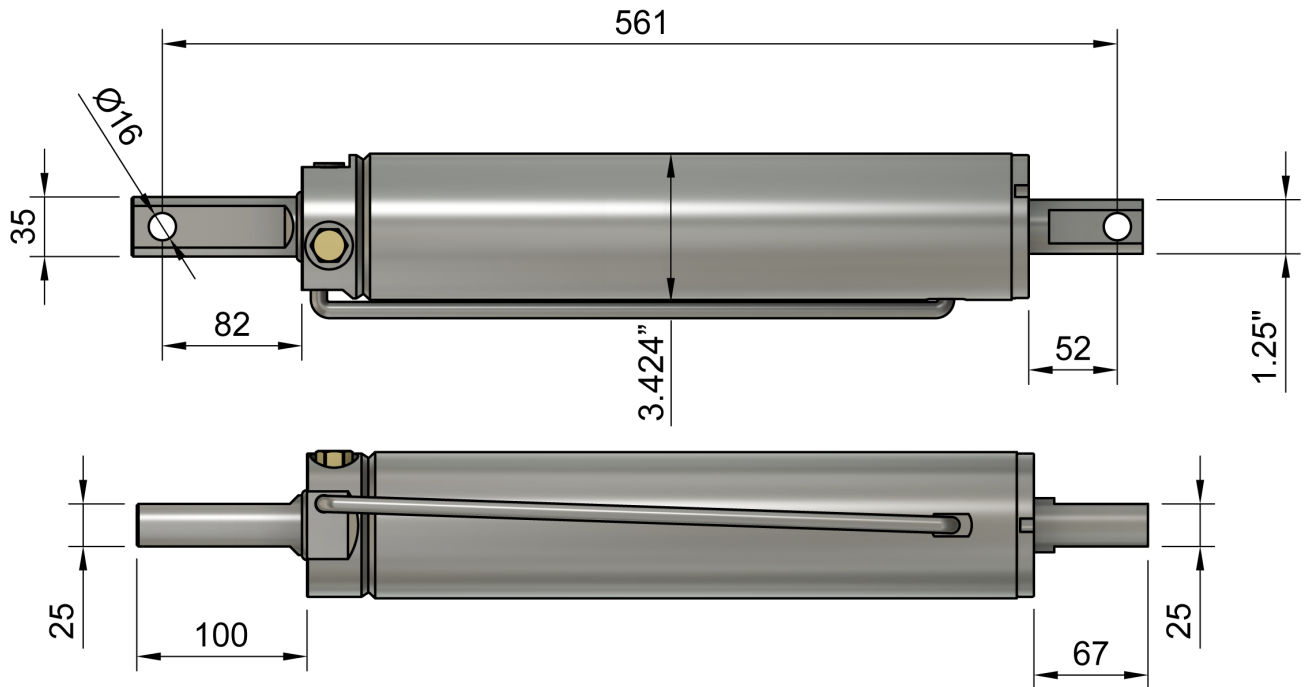


CHUTE JACK CYLINDER

Max Pressure 2700psi | Dual Ports 9/16" UNO | 16mm eyes
Concrete truck chute jack cylinder with check valve



PART #	STROKE	ROD	BORE	CLOSED	OPEN
TCB 30300	300mm	1.1/4"	3.0"	564mm	864mm

TUFF
MANUFACTURING

tuffmanufacturing.com.au

